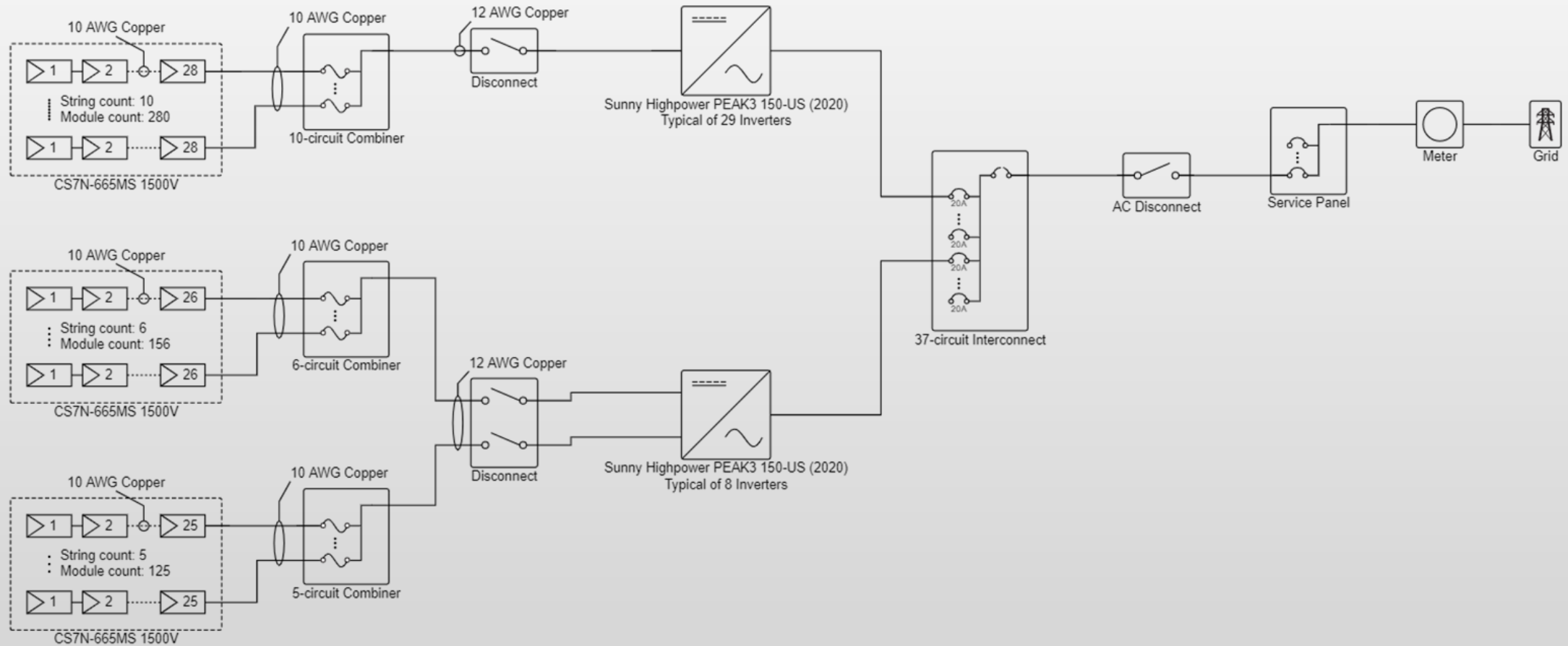


SINGLE LINE DIAGRAM EXAMPLE



Module Specifications	
10368x Canadian Solar Inc. CS7N-665MS 1500V	
STC Rating	665 W
Vmp	38.5 V
Imp	17.28 A
Voc	45.6 V
Isc	18.51 A

Inverter Specifications	
37x SMA Sunny Highpower PEAK3 150-US (2020)	
Max AC Power Rating	150 kW
Max Input Voltage	1,500 V
Min AC Power Rating	0 W
Min Input Voltage	855 V

Wire Schedule		
Tier	Wire	Length
Bus	45x 12 AWG	820m
String	378x 10 AWG	39012m